

2

1

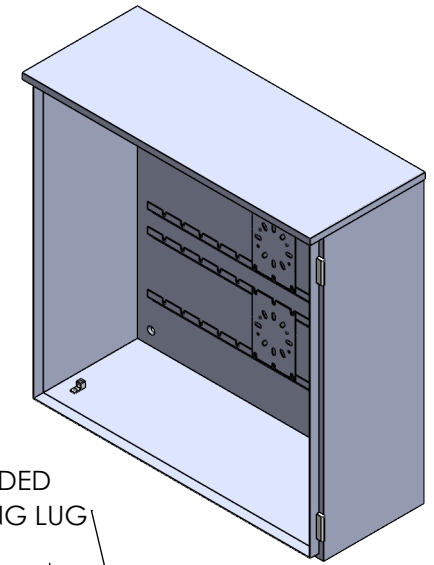
NOTES:

1. BOX AND COVER NEMA 3R CONSTRUCTION - GALV SHEET STEEL (14GA). AVAILABLE IN ALUMINUM BY REQUEST.
2. FINISH: POWDER COAT GRAY ENAMEL.
3. 1200A, 600VAC MAX, 1P OR 3P.
4. CABINET WILL HAVE NAME PLATE ON THE OUTSIDE.
5. DOOR SWING SHALL BE GREATER THAN 90° AND BE EQUIPPED WITH PROVISIONS FOR HOLDING THE DOOR OPEN.
6. LABELING PLACED INSIDE THE ENCLOSURE ON THE UPPER RIGHT SIDEWALL INCLUDING CATALOG NUMBER.
7. EMBOSSED HOLES IN REAR FOR MOUNTING CABINET.
8. GALV STEEL CONFIGURABLE BACKPLATE FOR MOUNTING CT.
9. HEAVY DUTY STAINLESS STEEL LIFT OFF HINGES.
10. UL 50 & 414 LISTED.
11. INCLUDES HARDWARE KIT OF:
 - (6) 3/8"-16 X 1" ZINC SQUARE HEAD BOLT
 - (6) 3/8"-16 ZINC FLAT WASHER
 - (6) 3/8"-16 ZINC HEX NUT

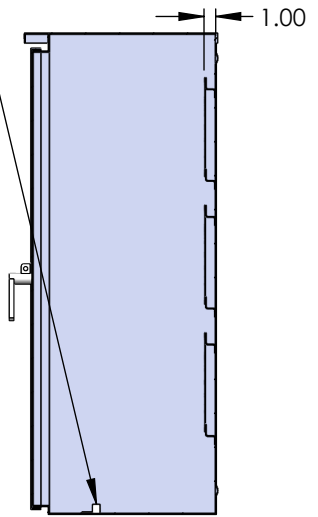
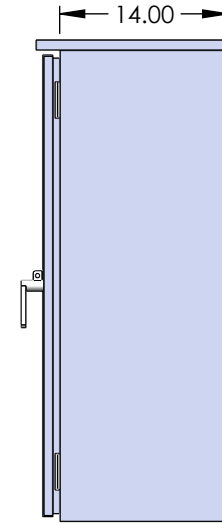
B

B

TOP VIEW



N-150 BONDED GROUNDING LUG

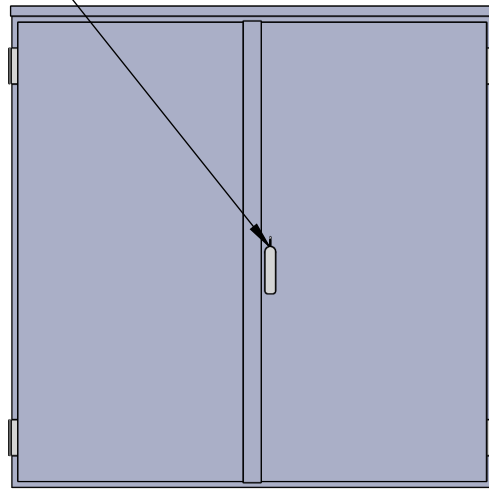


SIDE VIEW

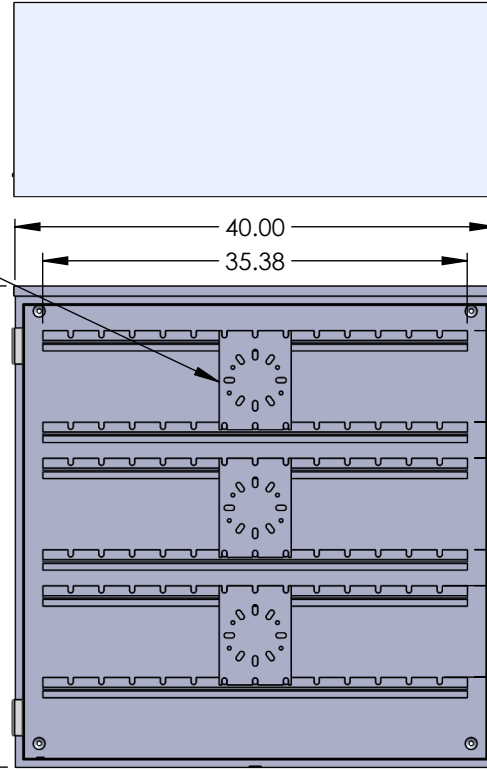
SIDE VIEW SECTIONED

A

A



COVERED VIEW



OPENED VIEW

PADLOCKABLE STAINLESS
STEEL HANDLE ON FRENCH
DOOR WITH 3 PT CATCH
INTERNALLY SHIELDED

CT MOUNTING PLATE

NAME	DATE
N. BOSETTI	6/26/2025
DRAWN BY	
REVIEWED BY	

NAV-TECH
INCORPORATED

155 MARCUS BLVD
HAUPPAUGE, NEW YORK 11788
PH: (718) 257-2111 FAX: (718) 257-2626

MAT'L:	14 GAUGE GALV STEEL
FINISH:	GRAY POWDER COAT ANSI 61
WEIGHT:	
ALL DIMENSIONS ARE NOMINAL UNLESS EXPLICITLY STATED OTHERWISE	

DRAWING TITLE:	DUKE ENERGY 1200A CT CABINET 40 X 40 X 14
PART #:	NAV-DE-CTR-12
DO NOT SCALE DRAWING	

DESCRIPTION:	DUKE ENERGY NEMA 3R CT CABINET 40" X 40" X 14" 1200A, 600VAC MAX, 1P OR 3P		
SCALE:	1:10	SIZE	A
SHEET	1 OF 1	REV.	2

2

1